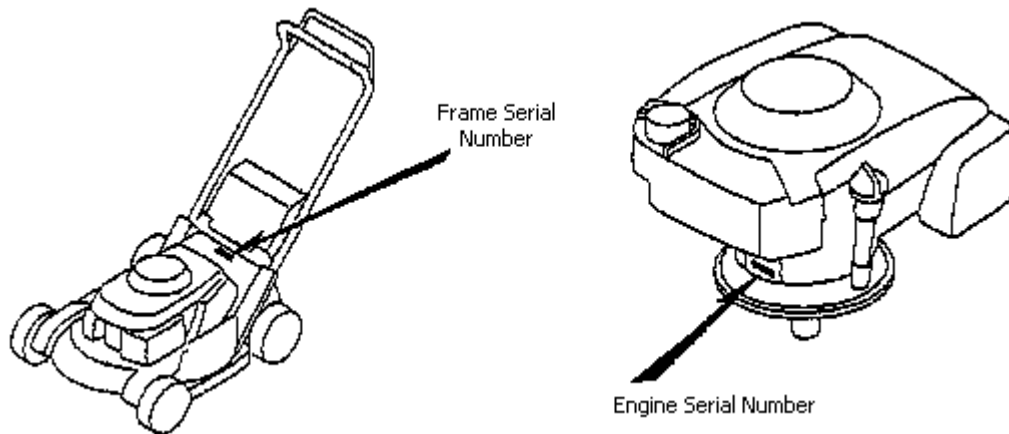


For most Honda equipment, the base model number is on the starter cover, the engine cowling, or another prominent location on the frame. The serial numbers are a little more difficult to find. Honda equipment generally has a serial number for the frame, and one for the engine. This is because Honda manufacture both engines and equipment powered by Honda engines. As such, there will be both an engine serial number (located on the engine) and a machine serial number (located on the somewhere on the equipment). If only the engine serial number is provided, then we can only supply parts for the engine and not the complete machine

Usually, the Honda serial numbers will have four letters followed by seven numbers like the examples shown in the below images. Some older machines may only show the numbers, so it is important for you to provide us with your model information as well

Honda Lawnmower Serial Number Location

On Honda lawnmowers, the model numbers and serial numbers are usually located on the back of the deck between the handles. For some models, there are two number locations near where each side of the handle meets the deck, one giving the model designation, and one the serial number.

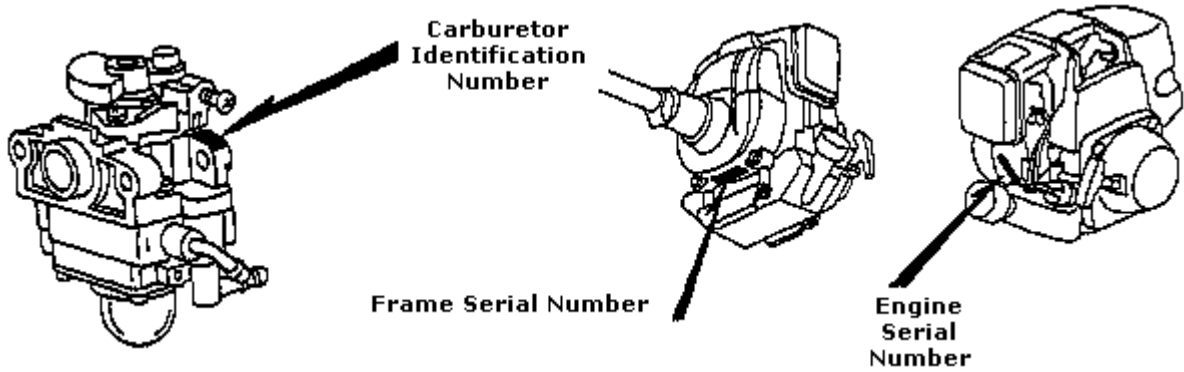


Lawnmower serial number located on the deck



Engine serial number

Honda Trimmer Serial Number Location



Trimmer serial number / Leaf blower

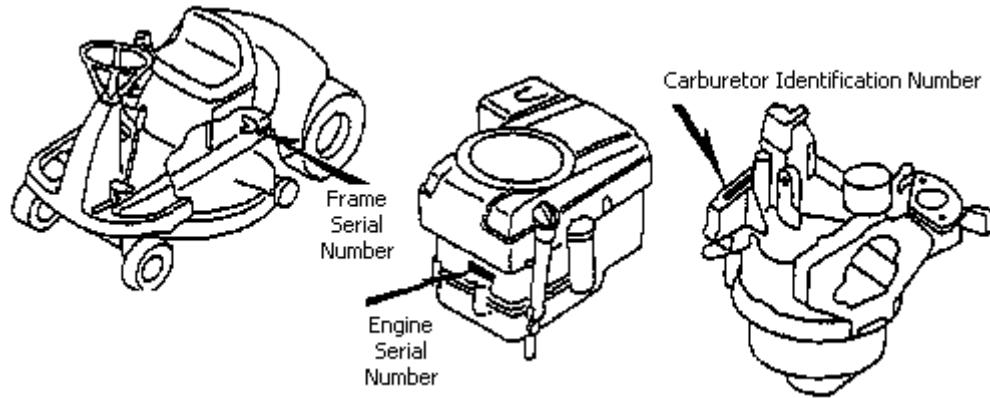


Engine serial number



Honda Riders & Tractors

On Honda riders and tractors, the serial numbers are usually located on the side of the frame. Decks, catchers, and blowers also have their own model and serial numbers.



Honda Tillers

Honda tillers generally have the frame serial number either on the handle, or near where it connects to the main chassis.

